



## LeisureLine Products



# WILTON 6

## LLA220

**Durable, and very attractive picnic table.**

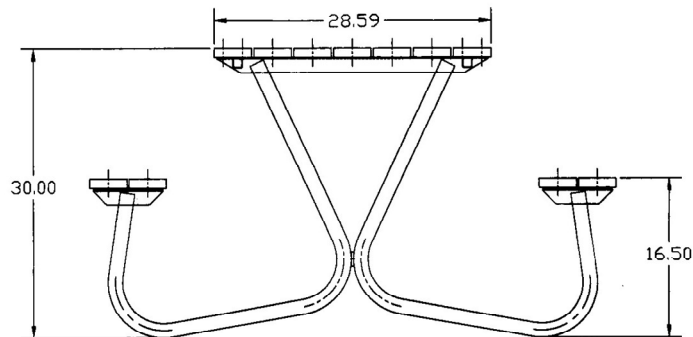
**1.66 OD frame powder coated black or galvanized.**

**Planks are 2 x 10 recycled plastic.**

**All hardware is stainless steel.**

**Approx weight 200 lbs**

# WILTON 6



**Recycled plastic available in grey, sand, green, & brown.**

**Tables are available in 6 foot lengths.**

**Powder coated black or Hot dipped galvanized tube.**

**All exposed hardware is Stainless steel.**

**Shipped unassembled complete with all necessary hardware.**

**Standard time from order to shipping is 8 working days.**

**Frame kits are available on special order**

**Other frame colours available on special order.**

**Add 2 to 4 weeks for special orders.**

**RIPCO**

**LeisureLine Products**

**111 Townline Road, Tillsonburg, Ontario N4G 5Y2**

**519-842-5941 - 1-800-565-3498 fax 519-842-2116**

**E-mail: [sales@rec-ind.com](mailto:sales@rec-ind.com) Web: [www.rec-ind.com](http://www.rec-ind.com)**